

www.toolarms.com



# Ergonomic Tool Arms, LLC.

Model # **EL506** (formerly PA506-EL)  
**STANDARD DUTY for IN-LINE,  
ELECTRIC SCREWDRIVERS**

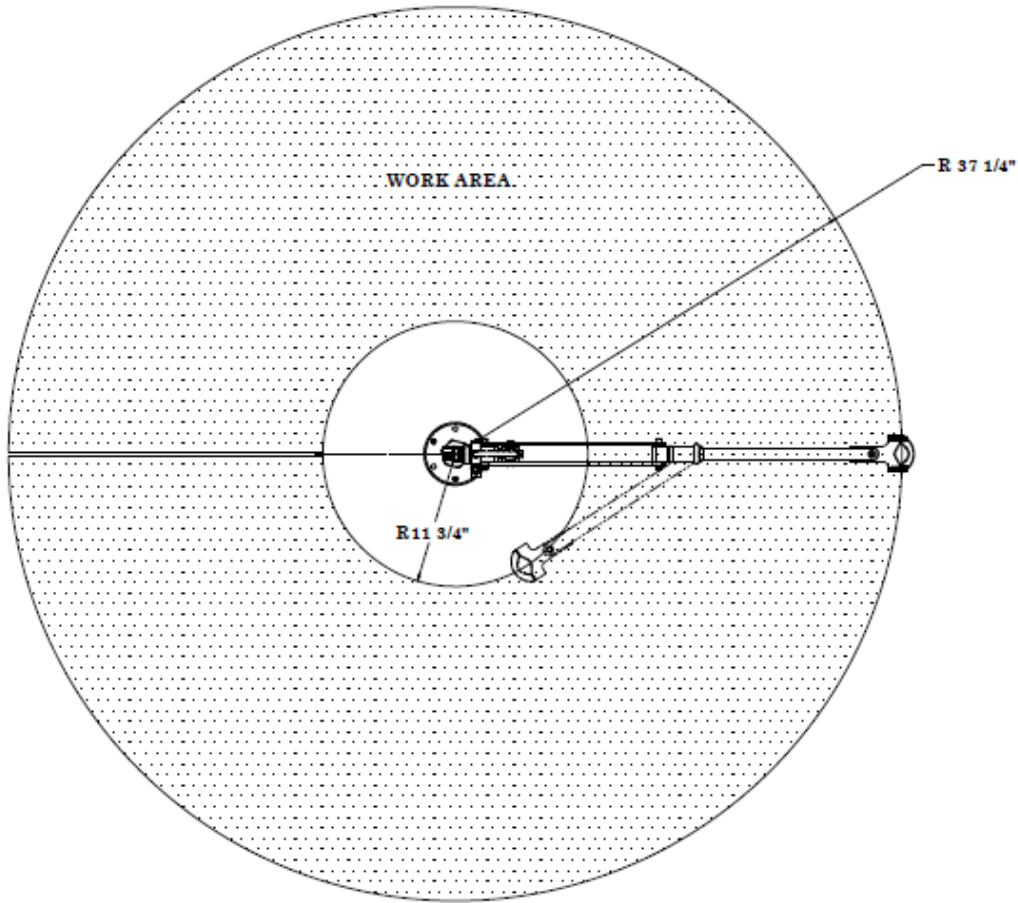
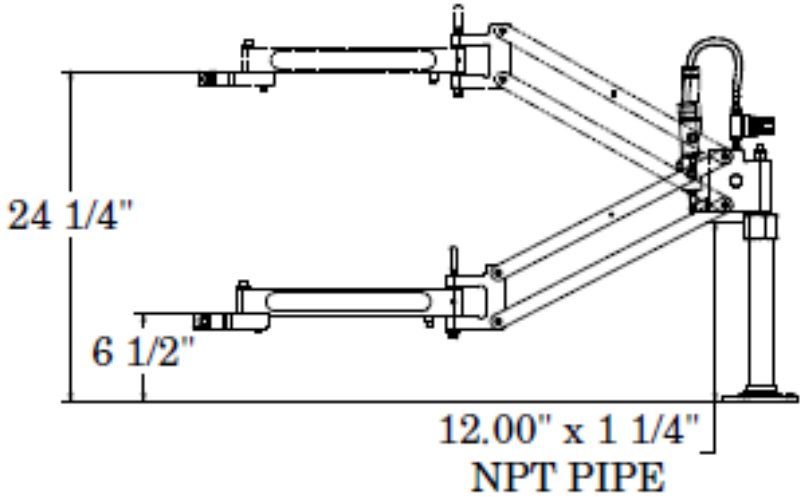


Vertical Torque Range ; 0-550 in-lbs ( 62 Nm)  
Horizontal Torque Range; 0 – 275 in-lbs (31 Nm)  
Tool Weight; 0-5 lbs ( 2.25 kg)  
This model includes Model UVTH Tool Holder  
Tool Diameter (at clamp) 1-1/8" (28,6mm) to 2" (50,8mm)  
Max Reach; 37 ¼ inches (946 mm)  
Min Reach; 11 ¾ inches (298 mm)  
Air Requirements; filtered, dry air 80 psi, .01 scfm  
Shipping Weight; 24 lbs

**3 Year Limited Warranty – see website for details**

***Simple, Clean Design –Very Rigid Mounting Post and Precisely Machined  
Pivot Points = effortless positioning at the LOWEST COST.***

# Work Area Dimensions EL506



**ETA Mounting System.** Maximum and minimum dimensions listed on the diagrams above are based on the use of the 12" pipe nipple included with the EL506 tool arm. Our tool arm base components are machined with standard 1-1/4 National Pipe Thread (npt). This makes a completely ridged mounting post while allowing inexpensive adaptability to different work locations. If you need to adjust the reach from the mounting base of the arm to your work area, it can be done simply by changing or adding to this 1-1/4 npt pipe. The amount of area covered vertically and horizontally by the EL506 is fixed. But where that coverage begins and ends, in relationship to the place where you want to anchor the mounting base, can be easily changed with pieces of pipe and fittings such as elbows and/or tees. See **Mounting Ideas** on [www.toolarms.com](http://www.toolarms.com).



Doylestown, PA - USA  
 855-TOOL ARM (855-866-5276)  
 Email; [etainfo@toolarms.com](mailto:etainfo@toolarms.com)  
[www.toolarms.com](http://www.toolarms.com)

**ETA tool arms are available through your Industrial Tool Distributor.**

© 2010 & 2014 Ergonomic Tool Arms, LLC

