

www.toolarms.com



Ergonomic Tool Arms, LLC.

Model # **PA506**
STANDARD DUTY for
IN-LINE, AIR SCREWDRIVERS



AIR TOOL NOT INCLUDED

Vertical Torque Range ; 0-550 in-lbs (62 Nm)
Horizontal Torque Range; 0 – 275 in-lbs (31 Nm)
Tool Weight; 0-6 lbs (2.7 kg)
Max Reach; 34 ¾ inches (883 mm)
Min Reach; 11 ½ (292 mm)
Supply Hose; Braided Polyurethane 5/16" ID
Tool Connection; ¼" NPT
(additional tool holder options available)
Shipping Weight; 23 lbs
Air Requirements; filtered, dry air 80 psi.min.
125 psi max.

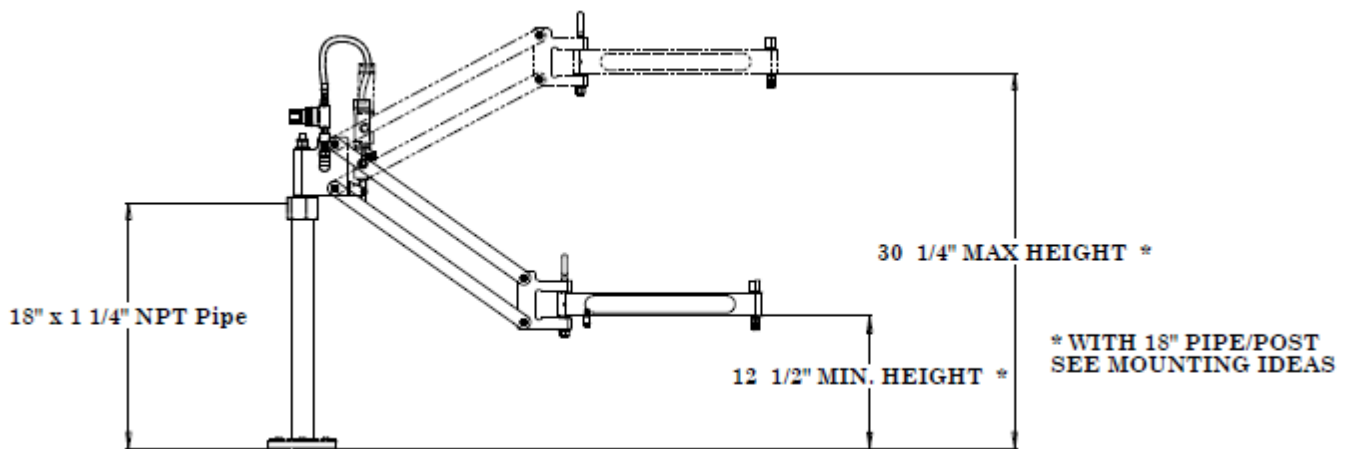
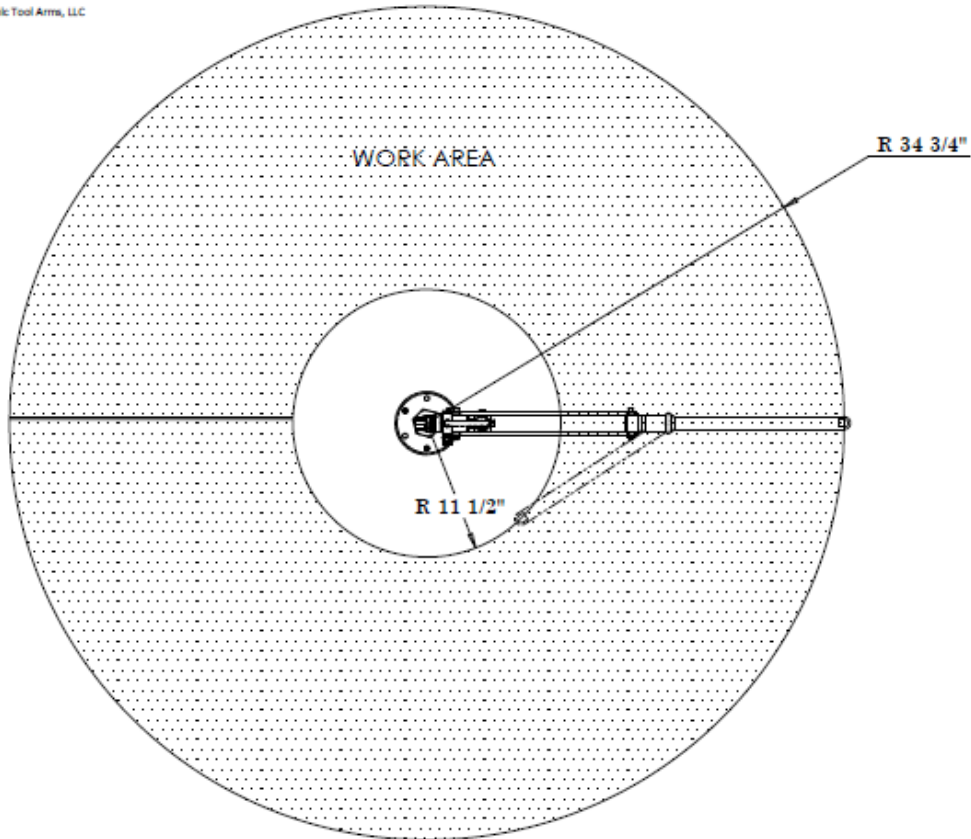
(OK to add lubricator ahead of PA506 if your air tool requires lubrication)

3 Year Limited Warranty – see website for details

***Simple, Clean Design – Very Rigid Mounting Post and Precisely Machined
Pivot Points = effortless positioning at the LOWEST COST.***

Work Area Dimensions PA506

© 2010 Ergonomic Tool Arms, LLC



ETA Mounting System. Maximum and minimum dimensions listed on the diagrams above are based on the use of the 18" pipe nipple included with the PA506 tool arm. Our tool arm base components are machined with standard 1-1/4 National Pipe Thread (npt). This makes a completely ridged mounting post while allowing inexpensive adaptability to different work locations. If you need to adjust the reach from the mounting base of the arm to your work area, it can be done simply by changing or adding to this 1-1/4 npt pipe. The amount of area covered vertically and horizontally by the PA506 is fixed. But where that coverage begins and ends, in relationship to the place where you want to anchor the mounting base, can be easily changed with pieces of pipe and fittings such as elbows and/or tees. See **Mounting Ideas** on www.toolarms.com.



Doylestown, PA - USA
 855-TOOL ARM (855-866-5276)
 Email: etainfo@toolarms.com
www.toolarms.com

ETA tool arms are available through your Industrial Tool Distributor.

© 2010, Ergonomic Tool Arms, LLC

