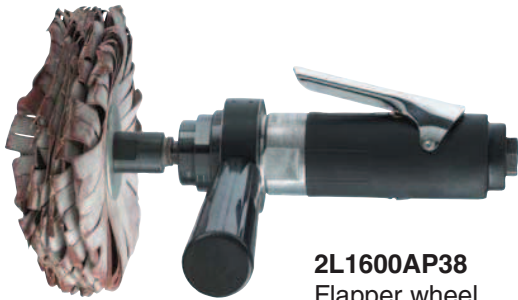
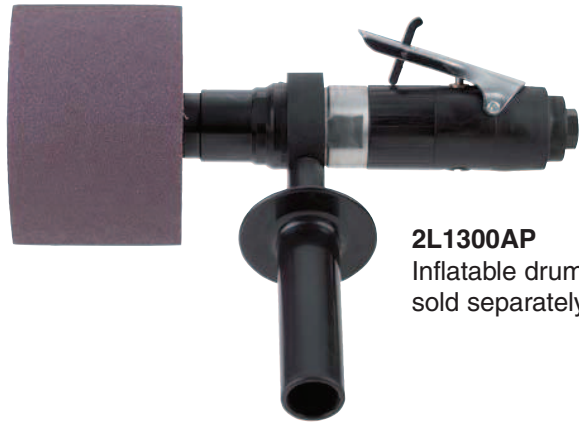


STRAIGHT SANDERS



2L1600AP38
Flapper wheel
not included



2L1300AP
Inflatable drum
sold separately

Performance:

Power: 0.6 hp (0.25 kw)
Speed: 2000 rpm - 3350 rpm

Features:

Lockoff Lever Throttle
Rear Exhaust
Support Handle

Straight Sanders



| Model Number | Free Speed | Weight | | Length | | Air Consumption Under Load | | Air Consumption Free Speed | | Sound Level |
|---|------------|--------|-----|--------|-----|----------------------------|-----|----------------------------|-----|-------------|
| | rpm | rpm | rpm | rpm | rpm | rpm | rpm | rpm | rpm | dB(A) |
| 0.60 hp (0.25 kw) - 1/2"-13 Spindle Thread | | | | | | | | | | |
| 2L1300AP | 3350 | 2.3 | 1.0 | 6.0 | 152 | 21 | 10 | 28 | 13 | 82 |
| 0.60 hp (0.25 kw) - 3/8"-24 Spindle Thread | | | | | | | | | | |
| 2L1600AP38 | 2000 | 2.3 | 1.0 | 6.0 | 152 | 21 | 10 | 28 | 13 | 82 |

General:

Air Inlet Size: 1/4" NPT • Recommended Hose Size: 3/8" (10 mm) • Performance rated @ 90 psig (6.2 bar) air pressure

Standard Equipment:

Parts List • Safety and Instruction Manual • Support Handle • Mounting Washers & Nut

Accessories:

Sander Accessories, see pages 88-90



SAFETY PRECAUTION: Read and follow all safety and operating instructions.
WARNING: Face & eye protection must be worn while operating power tools, per ANSI B186.1